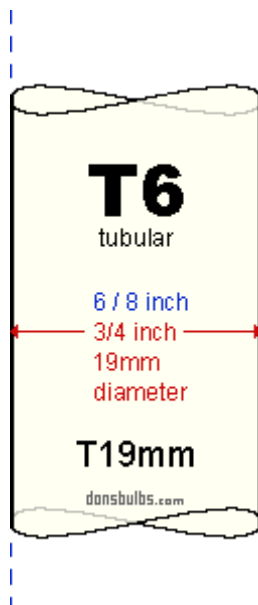
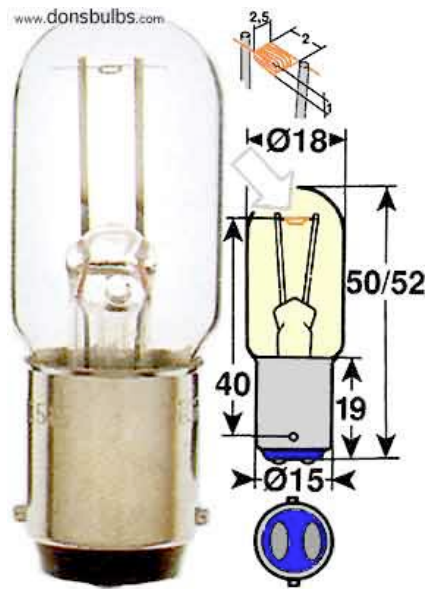


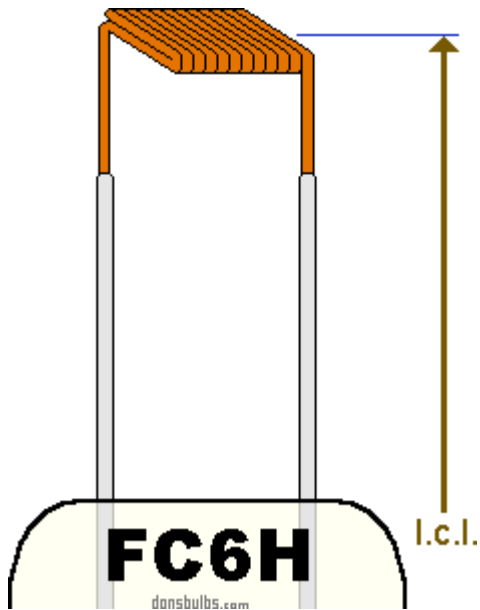
incandescent - miniature lamp light bulb

13347-W-P PHILIPS

donsbulbs part:

**8018 DONSBULBS**





### Incandescent - miniature lamp

volt: ⑥ 6

amp: ⑥ 2.5

watt: ⑥ 15

base: ⑥ **BA15d** - Double Contact Candelabra Bayonet (or D.C.Bayonet)

glass: ⑥ **T6**

filament: ⑥ **FC6H**

m.o.l.: ⑥ **2.05** inch (52MM)

l.c.l.: ⑥ **1.54** inch (39MM)

i.lumens: ⑥ **180**

cp: ⑥ **14**

d.hours: ⑥ **100**

notes: ⑥ NOT SAME AS **OQ11R OPTI-QUIP**

clear glass

dim:52MMx19MM

filament size:1.4mmx1.4mm

gas filled

incandescent lamp

medical lamp

style:lwt11t

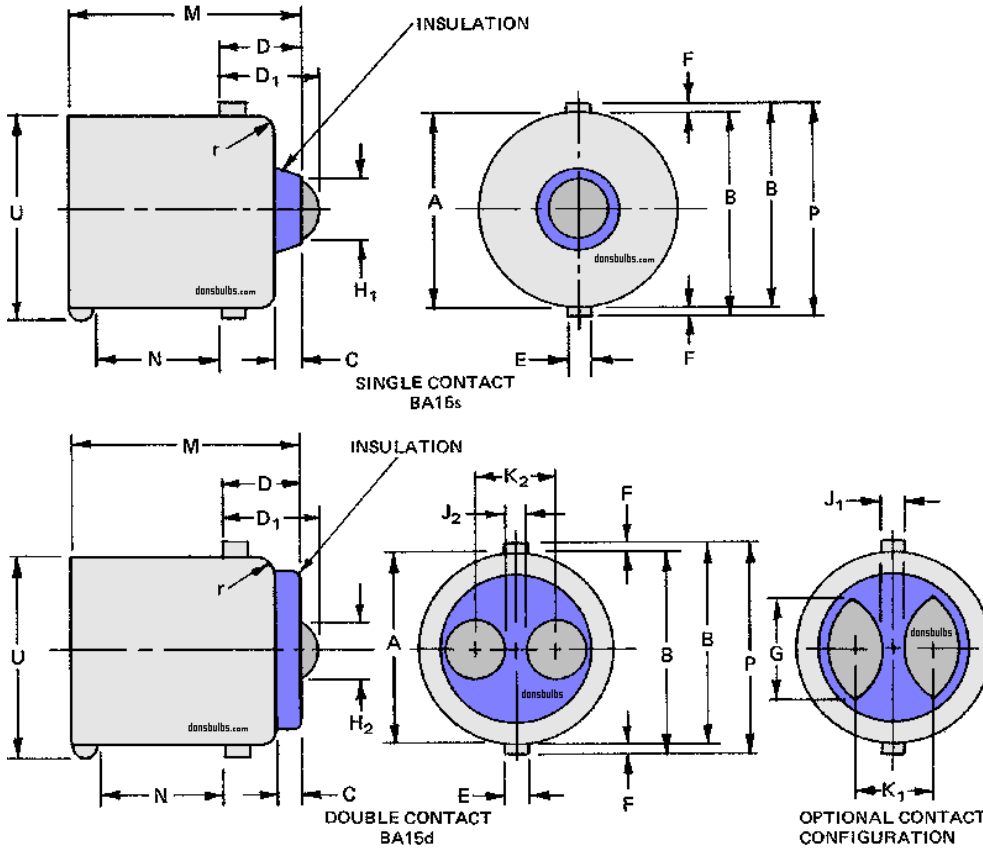
# donsbulbs.com

## BA15s, BA15d Candelabra Single-Contact and Double-Contact Bayonet Bases

ANSI C81.61-1990  
Std Sheet 1-20-1  
Page 1 of 2 pages

The designations assigned to variations of these bases by the International Electrotechnical Commission (IEC) are BA15s and BA15d. This standard sheet is equivalent to IEC Publication 61.

The drawing is intended only to indicate the dimensions to be controlled.



ANSI C81.61-1990  
Std Sheet 1-20-1  
Page 2 of 2 pages

donsbulbs.com

Reference	Standard Dimensions (millimeters)				Nearest Equivalent (inches)			
	Unmounted (Note 8)		Finished Lamp		Unmounted (Note 8)		Finished Lamp	
	Min	Max	Min	Max	Min	Max	Min	Max
A (Note 1)	15.05	15.25	15.05	15.30	0.5925	0.6004	0.5925	0.6025
B	15.65	16.10	15.65	16.15	0.616	0.634	0.616	0.636
C	1.50	-	-	-	0.059	-	-	-
D	6.00	6.60	-	-	0.236	0.260	-	-
D <sub>1</sub> (Note 2)	-	-	6.32	7.50	-	-	0.249	0.295
E (Note 3)	1.80	2.20	1.80	2.20	0.071	0.087	0.071	0.087
F	0.64	-	0.64	-	0.025	-	0.025	-
G	9.00 Nom	-	-	-	0.354 Nom	-	-	-
H <sub>1</sub>	4.50	5.20	-	-	0.177	0.204	-	-
H <sub>2</sub>	4.50	-	-	-	0.177	-	-	-
J <sub>1</sub>	3.00	-	-	-	0.118	-	-	-
J <sub>2</sub>	1.70	-	-	-	0.067	-	-	-
K <sub>1</sub>	7.00	8.00	-	-	0.276	0.315	-	-
K <sub>2</sub>	6.50	7.10	-	-	0.256	0.280	-	-
M (Note 4)	18.75	19.25	-	-	0.738	0.758	-	-
N (Note 5)	8.90	-	8.90	-	0.350	-	0.350	-
P	-	16.95	-	17.00	-	0.667	-	0.669
U (Note 6)	-	-	-	16.26	-	-	-	0.640
r (Note 7)	-	-	-	-	-	-	-	-

**NOTES:**

(1) Bases may be made with a flare, with the diameter not more than 1 mm (0.039 inch) greater than dimension A.

(2) On double circular contact bases, the solder height of the two contacts shall be within 0.50 mm (0.020 inch) of each other.

## 8018 DONSBULBS

I/6V/15W/BA15D/T6/FC6H/39MMLCL  
/100H

also known as

### Cross-Reference:

6-B CHICAGO-MINIATURE	70386/6V/15W NIKON
6B NIKON	70386/6VOLT/15WATT NIKON
6D NIKON	70386 BULB-DIRECT
15T6/CL/6V/BA15D	70386 NIKON
STANDARDPRO	70386 OSRAM
38-00-29-9020 ZEISS	70503 OSRAM
38-29-9020 ZEISS	76314 GILWAY
166-324/6V/15W LEITZ/LEICA	76314 OSRAM
166-324/6V/15W WILD	76314 SYLVANIA
166-324/6V/15W WILD/LEITZ	76906-NIKON/BA15D-6V-15W-CL-NIKON
166-324/6VOLT/15WATT WILD	LAMPTECH
166-324/6VOLT/15WATT	76906-NIKON LAMPTECH
WILD/LEITZ	76906/6V/15W NIKON
166-324 BULB-DIRECT	76906/6VOLT/15WATT NIKON
166-324 LEITZ/LEICA	76906/NIKON INTERLIGHT
166-324 USHIO	76906 BULB-DIRECT
166-324 WILD	76906 NIKON
166-324 WILD/LEITZ	76906 OSRAM
500-012/6V/15W LEITZ/LEICA	76906 USHIO
500-012/LEICA INTERLIGHT	112702/6V/15W/BA15D ORBITEC
500-012 LEITZ/LEICA	112702/6V/15W ORBITEC
500-012 USHIO	112702 ORBITEC
3430-1/6V/2.5A GUERRA	112703/6V/15W/BA15D ORBITEC
3430-1 GUERRA	112703/6V/15W ORBITEC
3430/1 GUERRA	112703 ORBITEC
3800-29-9020/6V/15W ZEISS	166324 LEITZ/LEICA
3800-29-9020/6VOLT/15WATT	166324 USHIO
ZEISS	166324 WILD
3800-29-9020 BULB-DIRECT	166324 WILD/LEITZ
3800-29-9020 USHIO	206417 OSRAM
3800-29-9020 ZEISS	314534 PHILIPS
3829-9020 ZEISS	380029-9020 ZEISS
8018-6V	500012 LEITZ/LEICA
8018-6V-15W-B15D-100H-	500012 USHIO
D19X52 DONSBULBS	8000269 USHIO
8018-6V-15W-B15D-100H-	38299020
D19X52 OSRAM	3800299020 USHIO
8018-6V/76314 SYLVANIA	3800299020 ZEISS
8018-6V/04613576314	04613576314 SYLVANIA
SYLVANIA	031293410887 EIKO
8018-6VOLT EIKO	048777335833 UPC
8018-OS/BA15D-6V-15W-DC-	69549130678
BAY LAMPTECH	69549130678UPC STANDARDPRO
8018-OS LAMPTECH	4050300206417 OSRAM
8018-USHIO/6V-15W-BA15D-	DIALUXSPECIAL-MICROSCOPE LEITZ/LEICA
	GTL-OS-76314
	H511 HYBEC
	I/6V/15W/BA15D/100H
	I/6V/15W/BA15D/CAPSULE/100H
	I/6V/15W/BA15D/T6/100H
	I/6V/15W/BA15D/T6/FC6H/39MMLCL/52MMMOL/100

FLAT-FIL LAMPTECH	H/8018 DONSBULBS
8018-USHIO LAMPTECH	I/6V/15W/BA15D/T6/FC6H/39MMLCL/52MMMOL/100
8018/6V/15W/B15D OSRAM	H/LWTL1-15W-6V DONSBULBS
8018/6V/15W/BA15D OSRAM	I/6V/15W/BA15D/T6/FC6H/39MMLCL/52MMMOL/180
8018/6V/15W/T19MM/BA15D	L/100H/LWTL1-15W-6V DONSBULBS
EIKO	I/6V/15W/BA15D/T6/FC6H/39MMLCL/100H/8018
8018/6V/15W OSRAM	DONSBULBS
8018/6V15W/B15D OSRAM	I/6V/15W/BA15D/T6/FC6H/39MMLCL/100H/LWTL1-
8018/15W/B15D OSRAM	15W-6V DONSBULBS
8018/BA15D-6V-15W-DC-	I/6V/15W/BA15D/T6/FC6H/39MMLCL/100H 8018
BAYONET LAMPTECH	DONSBULBS
8018/OSRAM INTERLIGHT	I/6V/15W/BA15D/T6/FC6H/47MMLCL/53MMMOL/100
8018 BULB-DIRECT	H
8018 DONSBULBS	I/6V/15W/BA15D/T6/FC6H/53MMMOL
8018 EIKO	I/6V/15W/BA15D/T6/FC6H/100H
8018 GILWAY	I/6V/15W/BA15D/T6/FC6H/100H/LWTL1-15W-6V
8018 HIDS	DONSBULBS
8018 LAMPTECH	I/6V/15W/BA15D/T6/FC6H/100H/LWTL1 ECE
8018 OSRAM	I/6V/15W/BA15D/T19MM/100H
8018 SYLVANIA	I/6V/15W/BA15D/T19MM/FC6H/100H
8018 USA	I/6V/15W/BA15D/T19.2MM/100H
8018 USHIO	I/6V/15W/BA15D/TUBE/100H
8018 WESTINGHOUSE	I/6V/15W/BA15D/TUBE/FC6H/5MMLCL/100H
9224-570-10100 PHILIPS	I/6V/15W/BA15D/TUBE/FC6H/39MMLCL/100H
13067 STANDARDPRO	I/6V/15W/BA15D/TUBE/FC6H/100H
13347-W-P PHILIPS	IL-6V-15W-BA15D
13347-W PHILIPS	IL/6V/15W/BA15D
13347/6V/15W	IL/6V/15W/BA15D/FC6H
13347/W PHILIPS	IL6V15WBA15D
13347 GUERRA	LWT-L1/6V/15W/BA15D ECE
13347 ZEISS	LWT-L1T/6V/15W/BA15D ECE
13347W-15W-6V	LWTL1-6V-15W DONSBULBS
13347W-15W-6V-100PK	LWTL1-15W-6V DONSBULBS
PHILIPS	LWTL1/6V/15W/BA15D ECE
13347W/6V/15W	LWTL1 ECE
13347W/6V/15W/BA15D	LWTL1T/6V/15W/BA15D ECE
PHILIPS	M-20-8018
13347W/BA15D-6V-15W-DC-	M-04013-IL-6V-15W-BA15D
BAYONET LAMPTECH	M-04013 HIKARI
13347W ANSI	M/20 LIF
13347W BULB-DIRECT	M3-MICROSCOPE WILD
13347W LAMPTECH	M3 WILD
13347W PHILIPS	M8/166-324 WILD/LEITZ
13347W STANDARDPRO	M20-8018
31453-4 PHILIPS	M20-8018/6V/15W
41088 EIKO	M20/8018
41088 UPC	M20 LIF
67221 NARVA	M04013/6V/15W HIKARI
67225/6V/15W NARVA	M04013 HIKARI
67225 NARVA	M04013IL6V15WBA15D
70152/6V/15W NIKON	MB-80180

70152 NIKON  
70152 OSRAM



MICROSCOPE-ILLUMINATOR-M8/166-324  
WILD/LEITZ  
MICROSCOPE-ILLUMINATOR/70152 NIKON  
MZ38.00.29.90.20 BAILEY  
N-76906 NIKON  
OSRAM/SM-8018 USHIO  
OSRAM/SM8018 USHIO  
P-8018 ORBITEC

[http://www.google.de/imgres?imgurl=http://www.donsbulbs.com/bulbs/g632/ib/8018~donsbulbs.jpg&imgrefurl=http://www.donsbulbs.com/cgi-bin/r/b.pl/8018~osram.html&usg=\\_\\_J1qdYyEGXp1CqJdP8o1\\_-jqdQFk=&h=400&w=285&sz=13&hl=de&start=76&zoom=1&tbnid=L44Z8JucRYfpZM:&tbnh=156&tbnw=111&ei=v8zcTsj-Esbi4QT2xozMDQ&prev=/search%3Fq%3DPhilips%2B13347W%26um%3D1%26hl%3Dde%26sa%3DN%26biw%3D1272%26bih%3D844%26tbnid%3DDisch%26prmd%3Dimvns&um=1&itbs=1&iact=hc&vpx=956&vpy=457&dur=4718&hovh=266&hovw=189&tx=87&ty=163&sig=107929922473948375296&page=4&ndsp=26&ved=1t:429,r:5,s:76](http://www.google.de/imgres?imgurl=http://www.donsbulbs.com/bulbs/g632/ib/8018~donsbulbs.jpg&imgrefurl=http://www.donsbulbs.com/cgi-bin/r/b.pl/8018~osram.html&usg=__J1qdYyEGXp1CqJdP8o1_-jqdQFk=&h=400&w=285&sz=13&hl=de&start=76&zoom=1&tbnid=L44Z8JucRYfpZM:&tbnh=156&tbnw=111&ei=v8zcTsj-Esbi4QT2xozMDQ&prev=/search%3Fq%3DPhilips%2B13347W%26um%3D1%26hl%3Dde%26sa%3DN%26biw%3D1272%26bih%3D844%26tbnid%3DDisch%26prmd%3Dimvns&um=1&itbs=1&iact=hc&vpx=956&vpy=457&dur=4718&hovh=266&hovw=189&tx=87&ty=163&sig=107929922473948375296&page=4&ndsp=26&ved=1t:429,r:5,s:76)